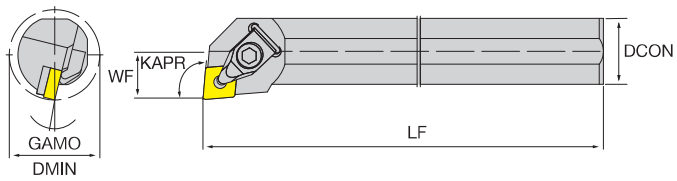



<h1 style="margin: 0;">A DCLN</h1>	<p>STEEL ▲ with internal coolant</p> <p style="text-align: right;">Right-hand shown</p> 	
<h2 style="margin: 0;">ISO - CN</h2>		
<ul style="list-style-type: none"> Internal turning (KAPR 95°) Steel boring bar with internal coolant through Holds CN-style inserts Double pushing and pulling action with a single movement. Quick and safe tightening 		

Designation	Stock		DMIN	DCON	WF	LF	LH	LPR	KAPR	GAMO	MIID
	L	R									
NT-A25R-DCLN ¹ / ₈ 12	●	●	32	25	17	200	-	-	95°	14°	CN [∞] 1204 [∞]
NT-A32S-DCLN ¹ / ₈ 12	●	●	40	32	22	250	-	-	95°	14°	CN [∞] 1204 [∞]
NT-A40T-DCLN ¹ / ₈ 12	●	●	50	40	27	300	-	-	95°	12°	CN [∞] 1204 [∞]

● stock standard, ○ non-standard stock, ▲ upcoming introduction, ▽ stock exhaustion

Spare parts	Shim	Shim screws	L wrench	Clamp	Springs	L wrench
NT-A [∞] -DCLN ¹ / ₈ 12	 NT-SH035	 NT-ST200	 NT-WR025	 NT-CS200	 NT-SG200	 NT-TX20

- A - TURNING
- B - THREADING
- C - GROOVING
- D - MILLING
- E - DRILLING
- F - ACCESSORIES
- G - SPARE PARTS